

Assembly Instructions ■

T-4® Adjustable Desking

Electric Height Adjustable

April 2019

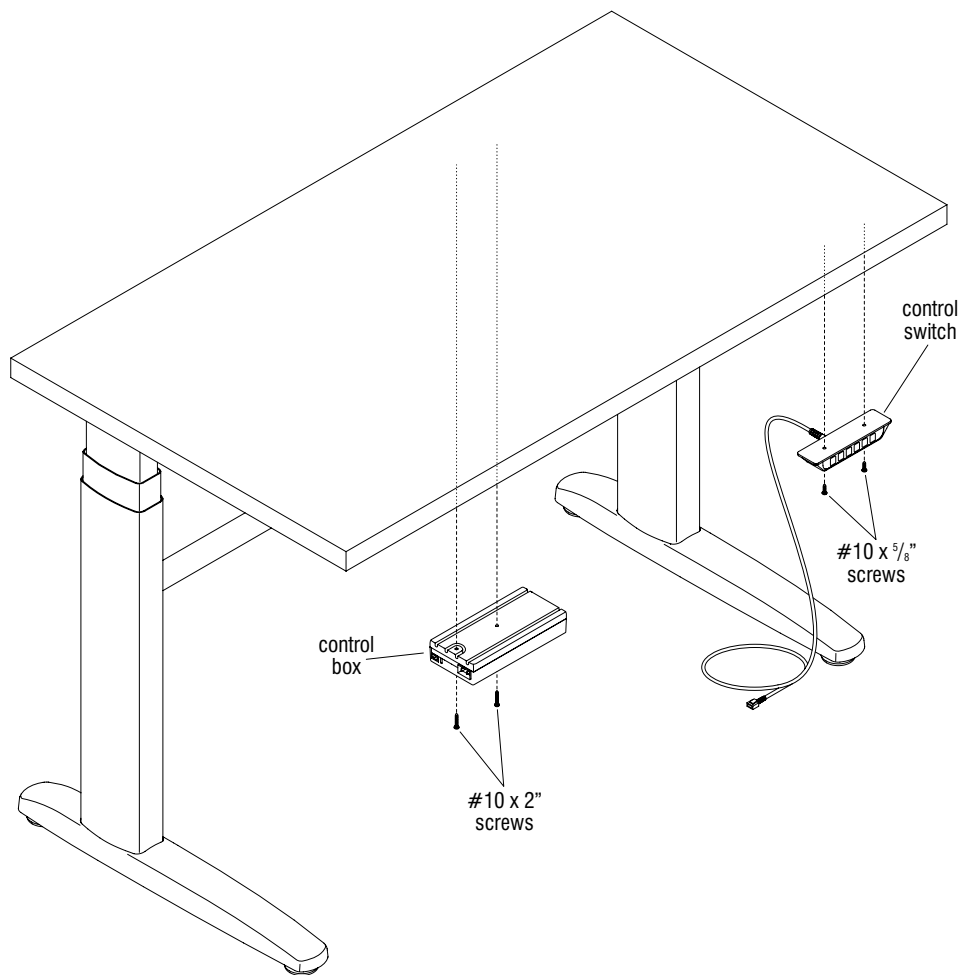


Figure 1

Control Box and Control Switch Installation

1. Mount the control box to the underside of the work surface using two #10 x 2" screws (Figure 1).
2. Mount the control switch to the front underside of the work surface using two #10 x 5/8" screws (Figure 1).



Assemble units as described herein only. To do otherwise may result in instability. All screws, nuts and bolts must be tightened securely and must be checked periodically after assembly. Failure to assemble properly, or to secure parts may result in assembly failure and personal injury.

■ T-4® Adjustable Desking - Electric Height-Adjustable

Assembly Instructions



Assemble units as described herein only. To do otherwise may result in instability. All screws, nuts and bolts must be tightened securely and must be checked periodically after assembly. Failure to assemble properly, or to secure parts may result in assembly failure and personal injury.

Electrical Connections

1. Plug the control switch cable into the appropriate receptacle on the control box (Figure 2).
2. Locate the cord exiting the top of the right-side table leg and plug a leg cable into that leg cord, then plug the other end into the right side of the control box as illustrated (Figure 2).
3. Locate the cord exiting the top of the left-side table leg and plug a leg cable into that leg cord, then plug the other end into the left side of the control box as illustrated (Figure 2).
4. Plug the power cord into the appropriate receptacle on the control box. Using the P-shaped cable clamps and #6 self-drilling screws provided, arrange and secure the cables to the underside of the desk to provide adequate strain relief for the cords.

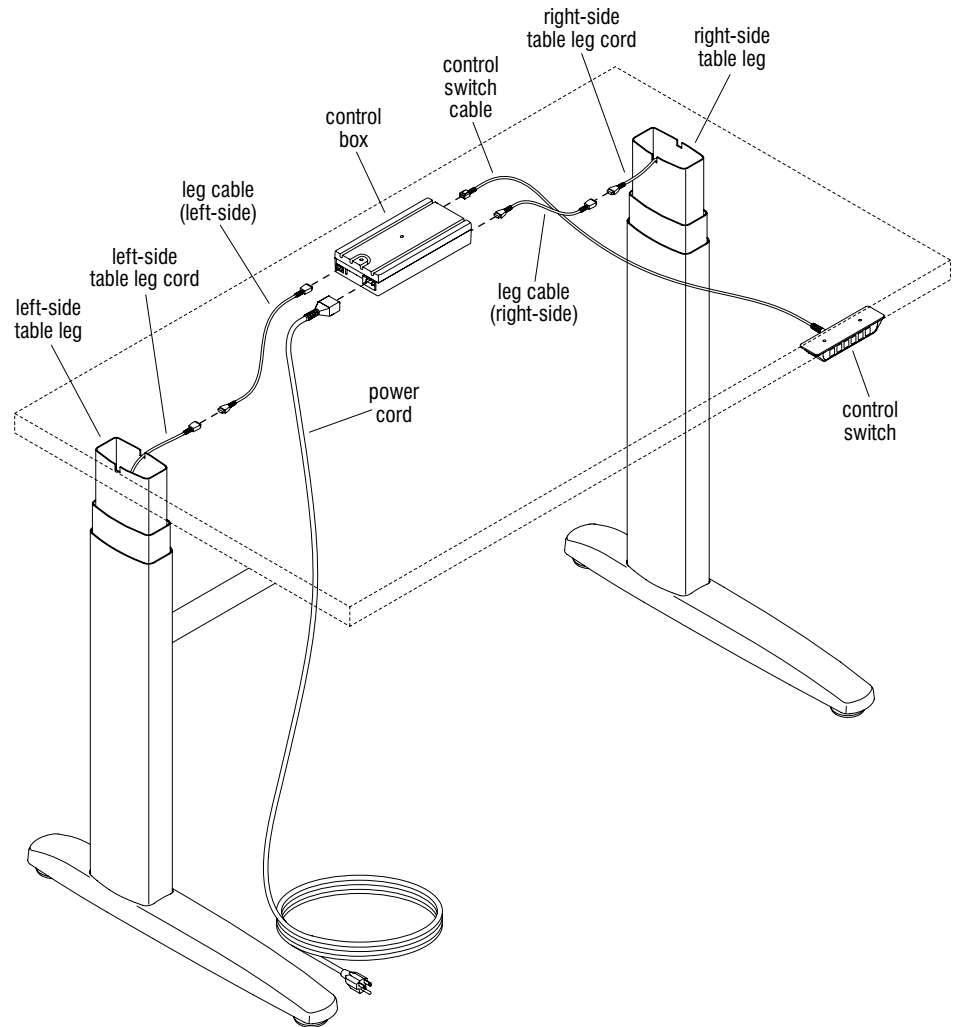



Figure 2

 Assemble units as described herein only. To do otherwise may result in instability. All screws, nuts and bolts must be tightened securely and must be checked periodically after assembly. Failure to assemble properly, or to secure parts may result in assembly failure and personal injury.

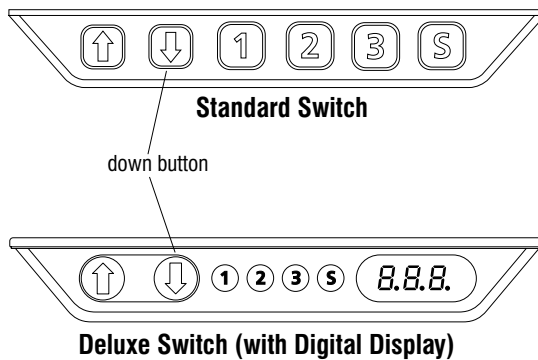


Figure 3

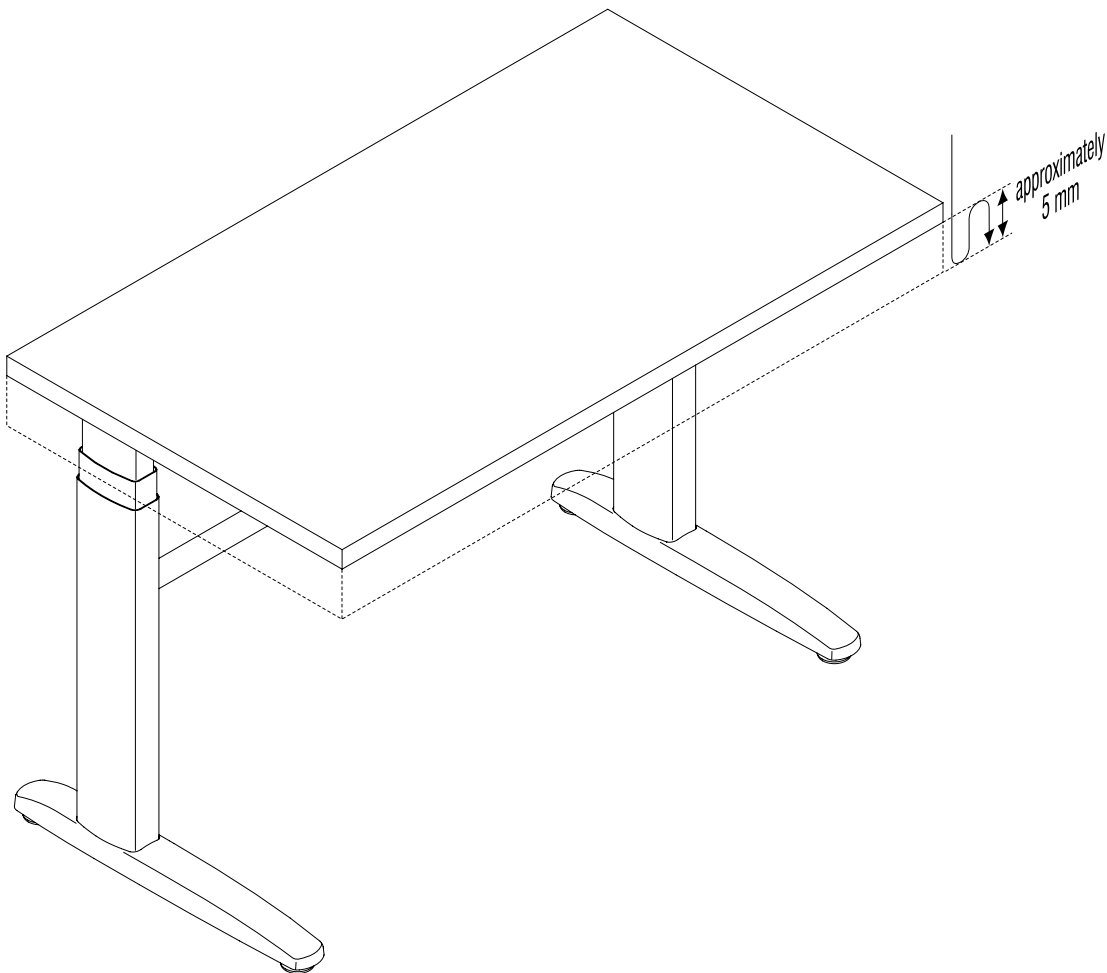


Figure 4

System Initialization

Note: When using any motorized electrical device, basic precautions should always be followed, for important safeguards reference page 7.

1. Press and hold the Down button on the control switch (Figure 3). The unit will lower to the end stop and stop moving. Release the down arrow. Press the down arrow again, and the unit will raise approximately 5 mm, then slowly lower to the end stop again. Release the button only when the unit has stopped moving completely (Figure 4).

Note: It is sometimes necessary to press the down button twice to start the initialization.

Note: If the down button is released before the sequence is completed, the initialization must be restarted.

Note: The first two times the system runs upward to the end stop, it will run approximately .3 mm back down.

■ T-4® Adjustable Desking - Electric Height-Adjustable

Assembly Instructions



Assemble units as described herein only. To do otherwise may result in instability. All screws, nuts and bolts must be tightened securely and must be checked periodically after assembly. Failure to assemble properly, or to secure parts may result in assembly failure and personal injury.

Operation - Standard Switch

1. To raise or lower the unit, push and hold the Up or Down button, then release when the desired position is reached (Figure 5).
2. To store a position in memory, raise or lower the unit to the desired position. Press the Store memory button, then push the desired Memory button (1, 2 or 3) within two seconds. The position will be stored in memory. Up to three positions may be stored in memory (Figure 5).
3. To raise or lower to a pre-programmed position, push Memory buttons 1, 2 or 3 and hold until desk height reaches the stored position (Figure 5).

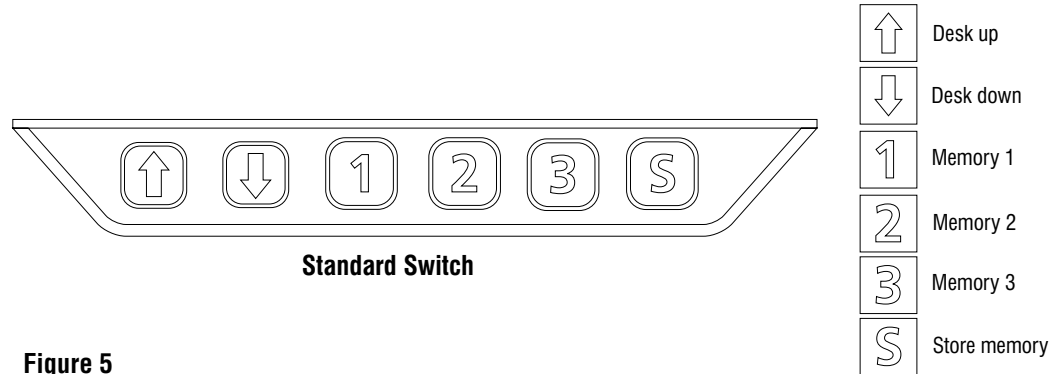


Figure 5



Assemble units as described herein only. To do otherwise may result in instability. All screws, nuts and bolts must be tightened securely and must be checked periodically after assembly. Failure to assemble properly, or to secure parts may result in assembly failure and personal injury.

Operation - Deluxe Switch

1. To raise or lower the unit, push and hold the Up or Down button, then release when the desired position is reached (Figure 6). The display will count up or down while running and continuously display the current height when the desired position is reached.
2. To store a position in memory, raise or lower the unit to the desired position. Press the Store memory button, the display will flash "S". Press the desired Memory button (1, 2 or 3) within two seconds. The position will be stored in memory and the display will show S1, S2 or S3 for one second. Up to three positions may be stored in memory (Figure 6).

Note: To stop a memory store sequence, press the Up or Down button while the "S" is flashing, or wait three seconds until the display automatically returns to show the height of the desk.

3. To raise or lower to a pre-programmed position, push Memory buttons 1, 2 or 3 (Figure 6).
5. It may be necessary to change the value on the display to match the actual desk height. The control switch ships from the factory set to a default desk height (62 cm or 24½ inches) with legs at the lowest position. Determine the accurate distance from the floor to the top of the desk. To allow the initial height to be adjusted, press the Up and Down buttons simultaneously and keep them pressed for five seconds. Until the initial height can be adjusted, the display will show three minus symbols (---), afterwards the display will show the height. The height can then be adjusted by either the Up or Down button until the desired height has been reached. The system will return to normal operation and give a short blink after five seconds of inactivity on the buttons.

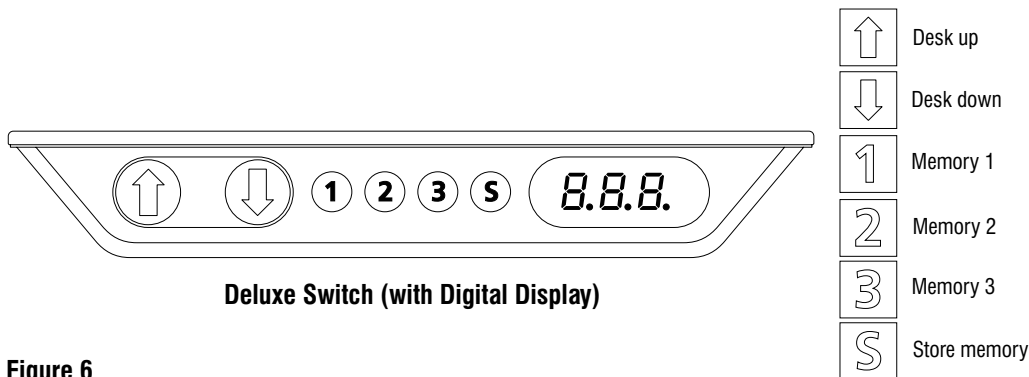


Figure 6

■ T-4® Adjustable Desking - Electric Height-Adjustable

Assembly Instructions



Assemble units as described herein only. To do otherwise may result in instability. All screws, nuts and bolts must be tightened securely and must be checked periodically after assembly. Failure to assemble properly, or to secure parts may result in assembly failure and personal injury.

T-4 Trouble Shooting Guide

System Initialization

Press and hold the Down button on the control switch (Figure 1). The unit will lower to the end stop and stop moving. Release the down arrow. Press the down arrow again, the unit will then raise approximately 5 mm, and then slowly lower to the end stop again. Release the button only when the unit has stopped moving completely (Figure 2).

Desk uses a LINAK control box CBD6S

USER

Symptom	Reason	Corrective Measure
Desk does not move.	<ul style="list-style-type: none"> Control box is not getting any power. All plugs are not mounted correctly in control box or to the leg. Damage to cables, controls, control box or legs. 	<ul style="list-style-type: none"> Connect test light or similar device to the main power supply to check that the supply voltage is OK. Check all connections. Damaged parts must be replaced. Contact customer service.
The desk stops and can only run in the opposite direction.	<ul style="list-style-type: none"> The desk is in its fully extended position. Too much weight on the desk. 	<ul style="list-style-type: none"> When desk has reached its maximum upper position, it can only run downwards. Remove some of the weight and try again.
The desk will only run downwards even though it is not overloaded.		<ul style="list-style-type: none"> Perform "System Initialization".
The desk does not run the full stroke length upwards. Always stops at the same position.		<ul style="list-style-type: none"> The system has set a new end-stop. Perform "System Initialization" to remove this stop.

SERVICE

Symptom	Reason	Corrective Measure
The desk does not run at all. No movement observed.	<ul style="list-style-type: none"> Defective handset or control box. Poor connection. Main cable has fallen out. No voltage at power supply. 	<ul style="list-style-type: none"> Check all connections, especially that there is voltage in the main plug. Connect a handset that you know is OK. If it can run, the old handset is defective. If the new handset does not help, then the control box is defective.
Not all legs operate when you run the desk downwards.	<ul style="list-style-type: none"> The leg(s) that do not run are defective or the cable connection for the leg(s) is not OK. 	<ul style="list-style-type: none"> Change leg/cable, starting with the cable.
The desk is in the lower position and will not run upwards. Cannot see whether all legs are moving.	<ul style="list-style-type: none"> The desk is overloaded. One or more legs is defective or the cable connection between legs and control box is not OK. 	<ul style="list-style-type: none"> Remove all motor cables from the control box. Mount one leg at a time in channel 1, perform "System Initialization" and thereafter run a bit upwards. If leg will not run upwards after "System Initialization", the leg is defective. Try to exchange the motor cable before exchanging the leg.



Assemble units as described herein only. To do otherwise may result in instability. All screws, nuts and bolts must be tightened securely and must be checked periodically after assembly. Failure to assemble properly, or to secure parts may result in assembly failure and personal injury.

Important Safeguards

When using any motorized electrical device, basic precautions should always be followed, including the following:

- This system of components is designed to make office desks / tables height adjustable. Do not use for anything other than its intended purpose.
- Inspect the system for damage from shipping before installing or connecting to power.
- Do not attempt to disassemble the controller for any reason. Repair must be done by authorized service personnel only.
- Locate the desk / table on level solid flooring.
- Do not locate or operate the system where it is humid, dusty, poorly ventilated, exposed to vibrations or exposed to extreme temperature changes.
- Locate the desk / table at least 50 mm (2 inches) away from any walls, from under any cabinet, or anything that can interfere with the movement of the desk / table.
- Do not use outdoors.
- Make certain all cables and power cords are able to move freely and do not become stretched or pinched during full movement of the desk / table.
- Do not insert anything into the controller as that may create a risk of fire or electric shock.
- Close supervision is necessary when any electrically powered device is used near children.
- Ensure that desk / table loads are evenly distributed, and that load specifications are not exceeded.
- Make sure frequency of use does not exceed the specified duty cycle.
- Be certain to connect the power cord to a power outlet that meets specified voltage and current requirements.
- When the unit is plugged in, it is on and fully functional. For complete electrical disconnection, pull out the main plug.
- Do not use the desk / table to lift, move or support people.
- To prevent overheating, be certain the controller and motors are not covered.
- Do not disconnect the switch or motors from the controller while the system is connected to power.

